

Eco-Power Power supply 1-phase, primary switched IN: 90-264 VAC VAC OUT: 24V/5ADC

INPUT: 90...264 V AC
 OUTPUT: 24 V DC
 Current: 5 A

Image

- stable output voltage, (short-circuit and overload protected)
- Wide voltage input
- Protection IP20

Vicarious picture

Input

Input voltage	90...264 V AC
Input current	2.4 A (115 V AC); 1.0 A (230 V AC)
Inrush current after 1 ms	max. 20 A
External fuse	max. 16 A
Frequency	50/60 Hz

Output

Output voltage	24 V DC $\pm 1\%$
Output current	5.0 A (+40 °C); 4.0 A (+50 °C)
Hold up time	min. 15 ms (115 V AC); min. 80 ms (230 V AC)
Ripple	max. 30 mV rms
Spikes	max. 100 mV ss
Short-circuit and overload protection	yes
LED display	LED (green) for output voltage
Parallel usage/serial usage	no/yes (max. 2 units)

General data

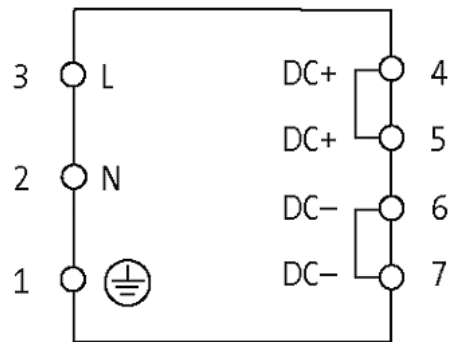
Standards	(EN 60950-1), (EN 61204-3), (EN 55011 B)
Mounting method	screw fixing, M3
Efficiency	86 % (115 V AC); 87 % (230 V AC)
Relative humidity	20...90 %, no condensation
Temperature range	0...+40 °C, to +50 °C derating (storage temperature -20...+85 °C)
Dimensions H x W x D	41 x 98 x 164 mm

Commercial data

Net weight	600
Weight unit	gram
Basic unit	pc.
Customs tariff number	85044090
Unit (piece)	1
Limited value	1

Comments

This switch mode power supplies meet the (EN 61000-3-2) standard for harmonic current.

Circuit diagram**Dimension drawing**